

HSP

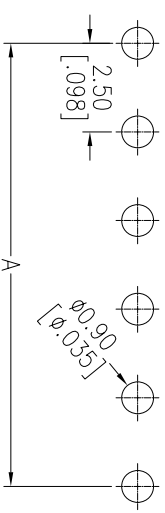
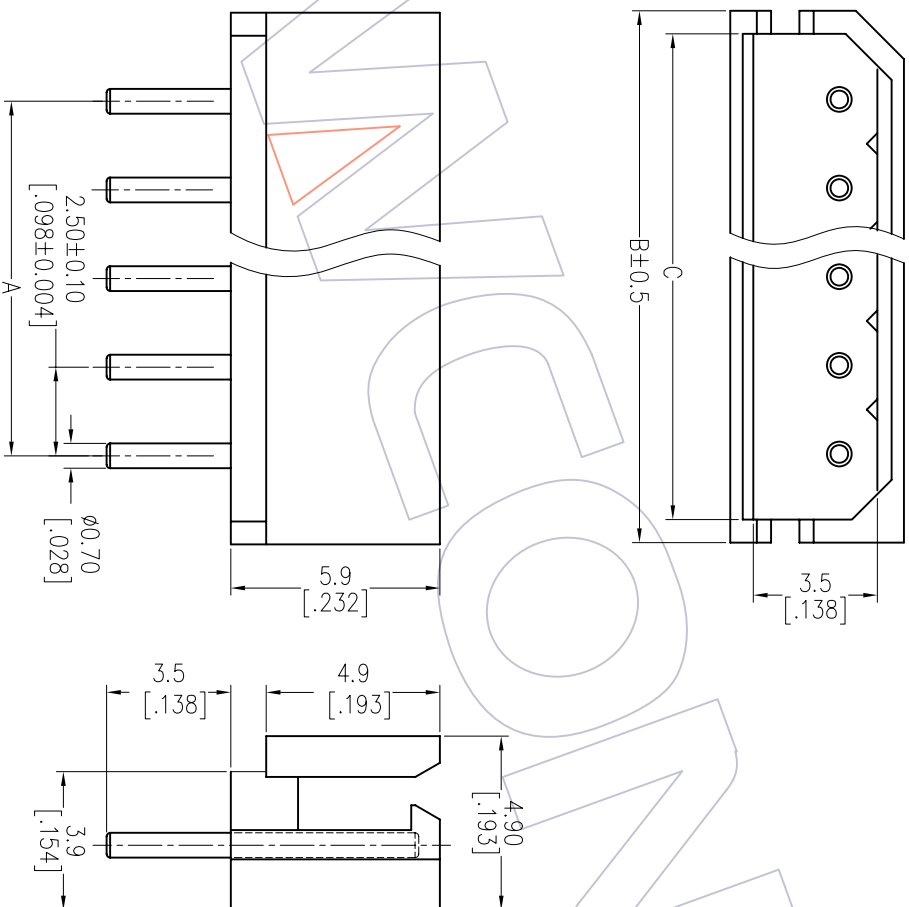
NOTES:
 Current Rating: 3.0AMP
 Contact Resistance: 20mΩ max
 Withstand Voltage: 800V AC/Minute
 Insulation Resistance: 1000MΩ min
 Operation Temperature: -25°C to +85°C

Contact Material: Brass
 Contact Plating: Au or Sn over Ni
 Insulator Material: PA66 UL94V-0

Ordering Information

WF2502 - WS XX X 0 1

No. of Pins Contact Plating Color Packing
 02P-20P S0=Gold Flash/Tin B=Black O=PE Bag
 S3=10u"Gold/Tin T=Natural
 S4=15u"Gold/Tin W=White
 S5=30u"Gold/Tin E=Beige
 G0=Gold Flash
 G3=10u"Gold
 G4=15u"Gold
 G5=30u"Gold
 Blank=Tin



Recommended P.C.B Layout (Top Side)
 (PCB BOARD TOLERANCE±0.05)

Specification & Ordering Information:

Circuit	Part No.	Dimension		
		A	B	C
02	WF2502-WS02X01	2.5	7.4	6.0
03	WF2502-WS03X01	5.0	9.9	8.5
04	WF2502-WS04X01	7.5	12.4	11.0
05	WF2502-WS05X01	10.0	14.9	13.5
06	WF2502-WS06X01	12.5	17.4	16.0
07	WF2502-WS07X01	15.0	19.9	18.5
08	WF2502-WS08X01	17.5	22.4	21.0
09	WF2502-WS09X01	20.0	24.9	23.5
10	WF2502-WS10X01	22.5	27.4	26.0
11	WF2502-WS11X01	25.0	29.9	28.5
12	WF2502-WS12X01	27.5	32.4	31.0
13	WF2502-WS13X01	30.0	34.9	33.5
14	WF2502-WS14X01	32.5	37.4	36.0
15	WF2502-WS15X01	35.0	39.9	38.5
16	WF2502-WS16X01	37.5	42.4	41.0
17	WF2502-WS17X01	40.0	44.9	43.5
18	WF2502-WS18X01	42.5	47.4	46.0
19	WF2502-WS19X01	45.0	49.9	48.5
20	WF2502-WS20X01	47.5	52.4	51.0

OPERATION	XX	±0.40	DRAW	JYHuang	DATE	2012/08/28	SCALE	UNIT	FIT	PART NO.	SEE TAB
CHECK	X.XX	±0.25	CHECK		DATE		SIZE	A4		TITLE:	2.50 WAFER 180°
APPROVE	X.XXX	±0.15	APPROVE		DATE		SHEET	1/1		CUSTOMER NO.	
CHANGE	Angle	± 3'	PROJ.								
REV	DATE	MODIFICATION DESCRIPTION	CHANGE	DIM	TOL						
AO	2012/08/28	NEW									

WCON

Http: www.wcon.com

WCON-Dongguan Tel: +86 769 85358920
 WCON-Kunshan Tel: +86 512 57468408
 Fax: +86 769 85358915 Fax: +86 512 57468468
 E-mail: sales@wcon.com E-mail: sales@wcon.com